

# SIA-0010I/SIA-0010/0030

10m/30m Twin Beam Sensor

### Features

- Outdoor twin beam sensor
- Against frost & dew (A.G.C)
- Adjustable beam interruption period
- FCC, CE approved
- IP65
- SIA-0010I/0010 (Outdoor 10m)
- SIA-0030 (Outdoor 30m)
- Applicable accessories : SIB-0001/0002/0003
- Approval Listing : EN50131-1 Grade 2

### Bracket



# SIA-0060/0120

60m/120m Twin Beam Sensor

### Features

- Outdoor twin beam sensor
- Against frost & dew (A.G.C)
- Adjustable beam interruption period
- FCC, CE approved
- IP65
- SIA-0060 (Outdoor 60m)
- SIA-0120 (Outdoor 120m)
- Applicable accessories (SIA-0060) : SIB-0001/0002/0003
- Approval Listing : EN50131-1 Grade 2

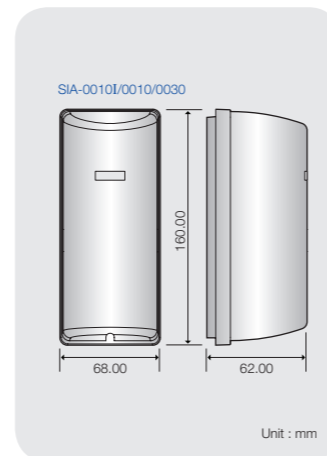
### Bracket



### Specification

	SIA-0010I	SIA-0010	SIA-0030
Detection Range	10m ( Outdoor )		30m ( Outdoor )
Beam	Twin beam		
Interruption Period	50 ~ 500ms		
Alarm Output	NC / NO		
Tamper Switch	NC		
LED Indicator	2 steps		
Ingress Protection	IP65		
Input Voltage / Current	10.2 ~ 13.8V DC / Max.41mA		
Operating Temperature / Humidity	-25 ~ +60°C (-13°F ~ +140°F) / Less than 95%		
Dimensions (WxHxD)	68 x 160 x 62mm ( 2.68" x 6.3" x 2.44" )		
Weight	470g ( 1.0lb )		

### Dimension



### Specification

	SIA-0060	SIA-0120
Detection Range	60m ( Outdoor )	120m ( Outdoor )
Beam	Twin beam	
Interruption Period	50 ~ 500ms	
Alarm Output	NC / NO	
Tamper Switch	NC	
LED Indicator	2 steps	
Ingress Protection	IP65	
Input Voltage / Current	10.2 ~ 13.8V DC / Max.41mA	
Operating Temperature / Humidity	-25 ~ +60°C (-13°F ~ +140°F) / Less than 95%	
Dimensions (WxHxD)	68 x 160 x 62mm ( 2.68" x 6.3" x 2.44" )	78 x 186 x 76mm ( 3.07" x 7.32" x 3.0" )
Weight	470g ( 1.0lb )	622g ( 1.4lb )

### Dimension

